

SAS™ Scorpion™ Engine Puller for Auto Recyclers

**INCREASE CASH RECOVERY
FROM YOUR RECYCLING
OPERATIONS.**

Best Suited For:

Wheel loader with 3rd spool controlled
by separate lever. 17-27 MPa (2,500 - 4,000 PSI)

Wheel loader curb weight	Scorpion class & weight	Blade cap @ 609mm
10,000 - 13,999 kg	Class 20, 2,500 kg	10,200 kg per pair
14,000 - 19,999 kg	Class 30, 2,900 kg	12,400 kg per pair
20,000 - 22,600 kg	Class 40, 3,200 kg	12,800 kg per pair

Fast & Simple Installation

- Fits direct pin mount machines and quick coupler machines.
- Only requires 1 auxiliary spool.

Generate Revenue

- Process end of life vehicles in less than 60 seconds*.
- Pull scrap engines and transmissions in 30 seconds*.
- 30%* more revenue by separating metals from bodies.
- 1000%* more revenue per lb. on wire harness from engine compartment and dash.
- 80 % more visibility with a direct line of site from the operator's window through the forks.
- Cycle time less than 15 seconds from park to full extension*.
- Serviceable for long life. Replace blades in 3 hours or less on Class 30 Scorpion.

Engineered & Built For Optimum Performance

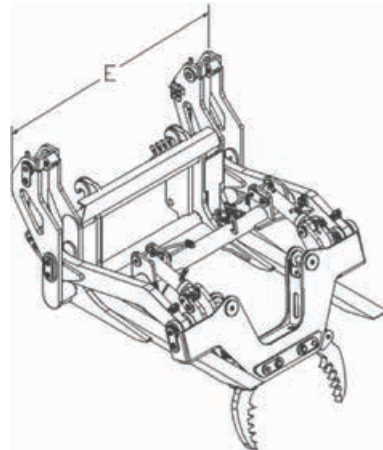
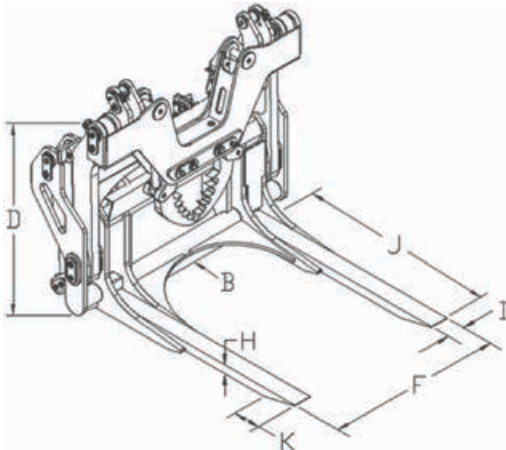
- Engineered tough for continuous prying and durability.
- Hardened pins, bushings and grease-able pivot points for extend service life.
- Hydraulic hoses and cylinders are protected to minimise potential damage from sharp objects.
- Built with high strength blades. Class 30 Scorpion has carriage skid plates for extended service.
- Clean up of ground debris is a snap with centre plow blade.
- Speed is paramount in this design. Operator uses grapple from cab, no torches, no personnel needed to hook up chains to pull or move engines. Safer, quicker and less costly removal of engines and transmissions.



Factory 1, 3 Amsted Road, Bayswater,
VIC AUSTRALIA 3153
1300 554 008

www.scraptech.com.au

SAS™ Extreme™ Auto Processing



Class 20
10-13,999 kg



Class 30
14-20,000 kg

Item	Description	Class 30	Class 20
A	Wheel loader curb weight	14-20,000 kg	10-13,999 kg
B	Centre clean up plow Side pressure plate	Yes Yes	Yes No
C	Extended service - Carriage skip plates	Yes	No
D	Load tip back protection - Back height	1500mm (60")	1500mm (60")
E	Load stabilization - Overall width	2133mm (84")	1800mm (70")
F	Fork spacing - Outside-to-outside (fixed)	1525mm (60')	1600mm (63')
G	Blade solid steel	Forged	A514
H	Blade thickness x width Class 40:88 x 150mm (3.5" x 6")	75 x 150mm (3" x 6")	75 x 180mm (3" x 7")
J	Blade usable length Measure tip to vertical face carriage	2133mm (84")	2133mm (84")
K	Blade taper length	300mm (12")	250mm (10")
L	Blade taper facing	Down	Down
M	Installation pins	No	No
N	Colour	Yellow	Yellow
O	Electrical requirements	24v	24v
P	Hydraulic requirements existing on loader		
	Separate lever for auxiliary (3rd spool)	Yes	Yes
	Joystick integrated roller button (3rd spool)	No	No
	Minimum 17 MPa (2,500 PSI) & 57 l/min (15 GPM), Max 27 MPa (4,000 PSI)		
	Recommended 24 MPa (3,500 PSI) & 113 l/min (30 GPM), 20mm (3/4") diam, lines. Customers to provide hoses from machine to Scorpion.		



Capacity Considerations (load centre)

Machine capacity: # @

Max load desired: # @

Tool or Pallet Pocket Restrictions

Spacing: out to out opening high wide

Scraptech
PO Box 105 Yarra Junction,
VIC AUSTRALIA 3797
1300 554 008

S.A.S of Luxemburg
USA ph: 00 +1 920 845 2497
USA fax: 00 +1 920 845 2307
www.sasforks.com

Machine

Make: Model:

Serial:

Voltage: 24v 12v

Existing 3rd spool: Separate lever: Yes No

Joystick 3rd spool roller button: Yes No

Attachment: 3 pin 4 pin Quick coupler:

Mfg: Series: S/N: